



W-RC401

Digital Recycle Timer
Code : 45346

The W-RC401 is a high accuracy digital timer and designed to cycle a load on and off or cycle between the two loads. The ON and OFF cycles are independently adjustable. It can be easily to adjust a time units (sec, min, hr) and time range between 1 and 99, when the supply voltage is applied the ON cycle begins timing, the relay will energized. Upon completion of the delay, the relay will de-energize, and the OFF cycle begins timing. The timer will continue cycling until the supply voltage is removed. The case can be mounted on a panel or surface

Specification

Feature

Supply voltage	: 100-265VAC 50/60 Hz. / 100-150VDC
Power consumption	: 1.2 W
Accuracy	: $\pm 1\%$ max
Display	: 7-segment Red LED Letter 0.39" (9.90mm)

Time

Time unit	: Sec., Min. and Hr.
On Time range	1 to 99
Off Time range	1 to 99
Time setting	: Front panel Tact switch
Timing function	: Count up, Count down
Reset time	: 0.1 sec max

Relay output

Output type	: SPDT x 2
Contact rating	: 5A at 250 VAC
Operations	: Mechanical: 2×10^7 times Electrical: 1×10^5 times

Environmental

Operating temperature	: -10°C to $+55^{\circ}\text{C}$
Storage temperature	: -10°C to $+70^{\circ}\text{C}$
Ambient humidity	: Max 85% RH

Enclosure

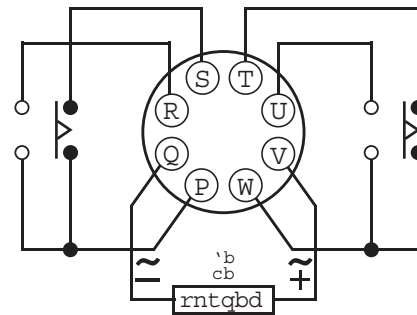
Material	: ABS Plastic case
Mounting	: Panel, surface
Connection	: 8-Pin round socket
Dimension	: 39 x 49 x 72
Weight	: 92 g

Selecting time range

Use the Up and Down tact switch to select and setting the timer type, time unit, and to adjust the time range in each parameters.

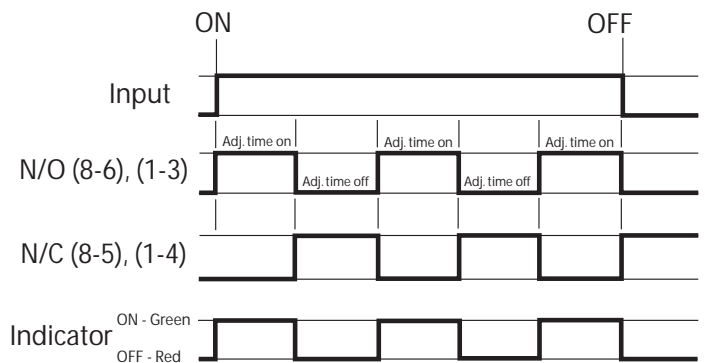
Time Unit	Time range
Second (Sec.)	1-99 Sec.
Minute (Min.)	1-99 Min.
Hour (Hr.)	1-99 Hrs.

Pin Connection

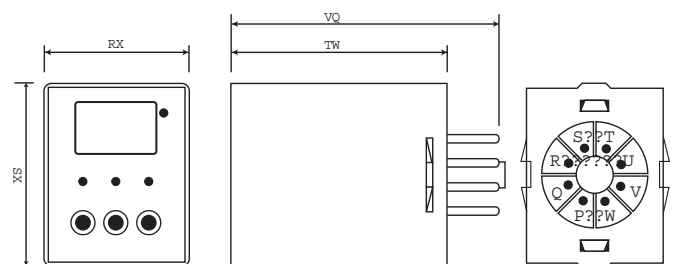


Supply Voltage : 100-265 VAC 50/60 Hz. / 100-150 VDC
Power Consumption : 1.2 W
Contact : SPDT x 2 5A 250 VAC
NON-INDUCTIVE LOAD

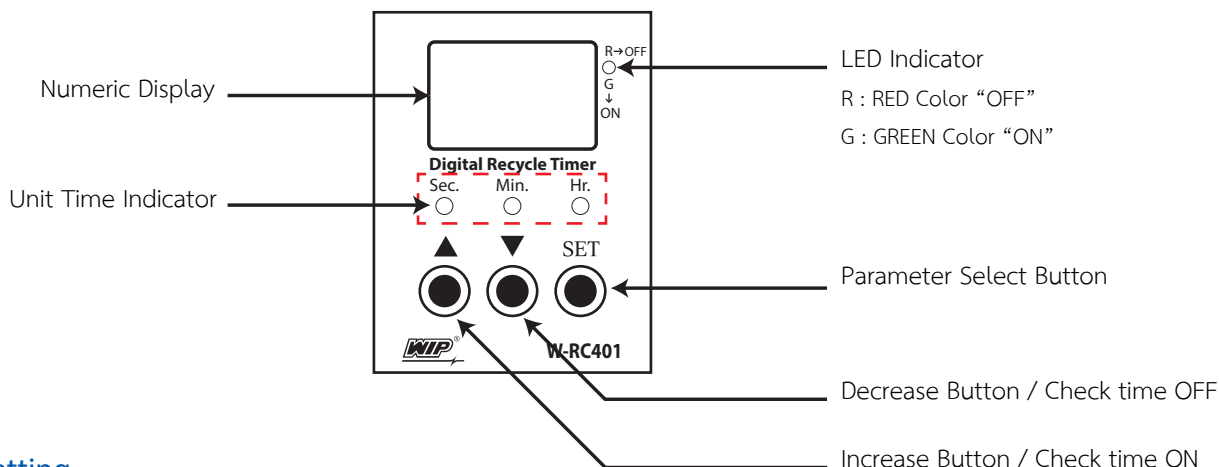
Timing Chart



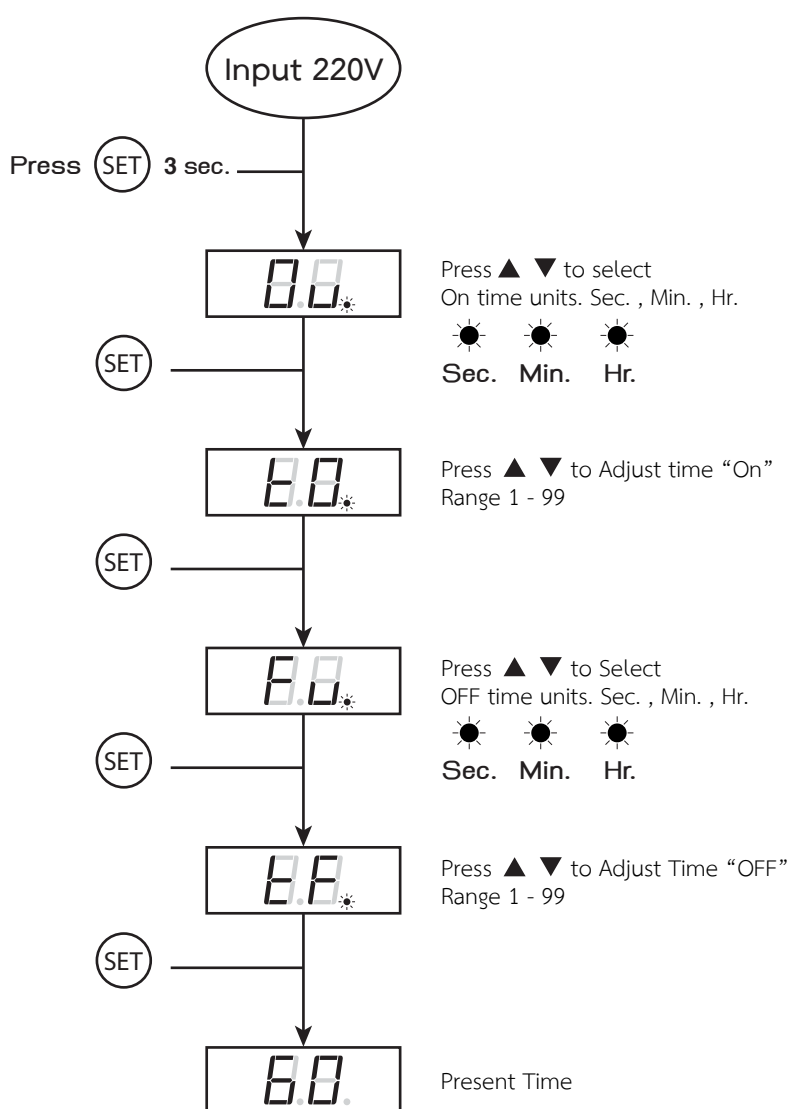
Dimension in mm.



Operation Front Panel



Parameter setting



System parameter table

Symbol	Parameter
00	ON Time units
00	Time ON
00	OFF Time units
00	Time OFF

Check time setting

- Press ▲ 7- Segment Display will show the time setting (Time ON) for 2 secs. and then will back to present time
- Press ▼ 7- Segment Display will show the time setting (Time OFF) for 2 secs. and then will back to present time

Faster Adjust time setting

- Press ▲▼ and hold to Increase / Decrease the time faster in time setting parameter

Note

If the parameters setting not continue for 10 seconds. The Display will immediately exit from the setting parameter.